

## CONTENTS

<b>CONTENTS</b>	2
Guarantee, service, repairs and maintenance	2
<b>Chapter1: Customer information</b>	3
General Information on Safety	3
<b>Chapter2: General description</b>	4
General description	4
END USER INSTRUCTIONS	5
<b>Chapter 3: Receiver</b>	6
INSTRUCTION GUIDE	7
<b>Chapter 4: Failure Analysis and solution</b>	8

### Guarantee, service, repairs and maintenance

The JUUKO products are covered by a guarantee/warranty against material, construction and manufacturing faults. During the guarantee/warranty period, JUUKO may replace the product or faulty parts. Work under guarantee/warranty must be carried out by JUUKO or by an authorized service centre specified by JUUKO.

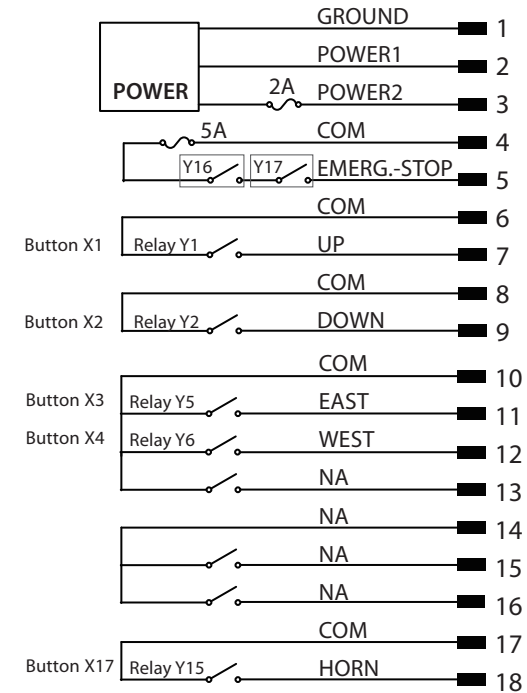
### This is not covered by the guarantee/ warranty:

- Faults resulting from normal wear and tear
- Parts of a consumable nature
- Products that have been subject to unauthorized modifications
- Faults resulting from incorrect installation and use
- Damp and water damage

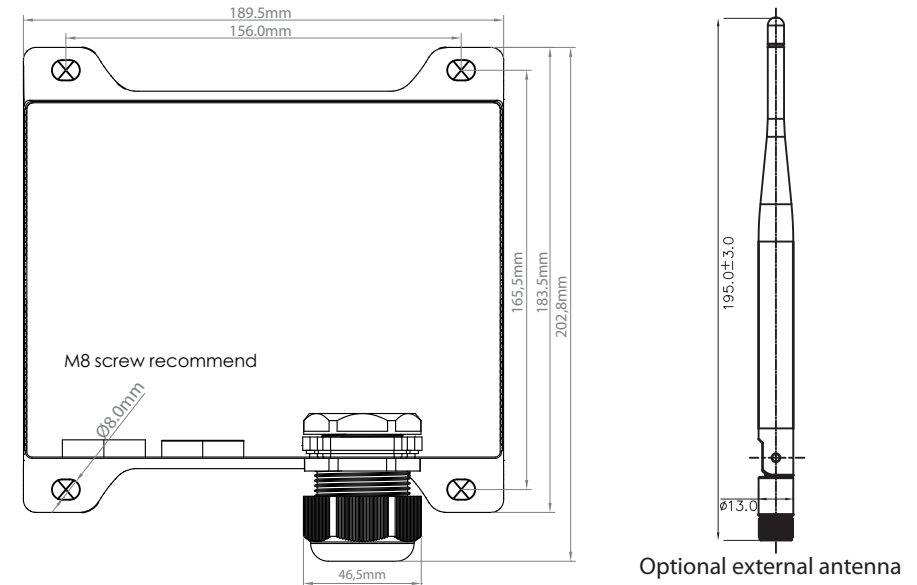
### Maintenance:

- Repairs and maintenance must be carried out by qualified personnel
- Use spare parts from JUUKO only
- Contact your representative if you require service or other assistance
- Keep the product in a dry, clean place
- Keep contacts and antennas clean
- Wipe off dust using a slightly damp, clean cloth

## Wiring diagram



## Mounting Dimensions



## Troubleshooting

## Transmitter

LED Signal		Failure Analysis	Solution
	LED red    LED green		
<b>STATUS</b>		-Stain on the battery spings.	-Clean the stains on battery springs.
	•••••	-Low battery.	-Replace brand new batteries.
		-Damage batteries.	
	LED red    LED green		
<b>STATUS</b>		-Transmitter is not communicating with receiver.	-Check the power supply of receiver.
	•••••	-Check receiver's fuse.	
	LED red    LED green		
<b>STATUS</b>		-Push button damaged.	-Contact the dealers.
	•••••		
	—••		

## Receiver

Should an error occur, LED of the receiver unit will indicate the cause of the error.

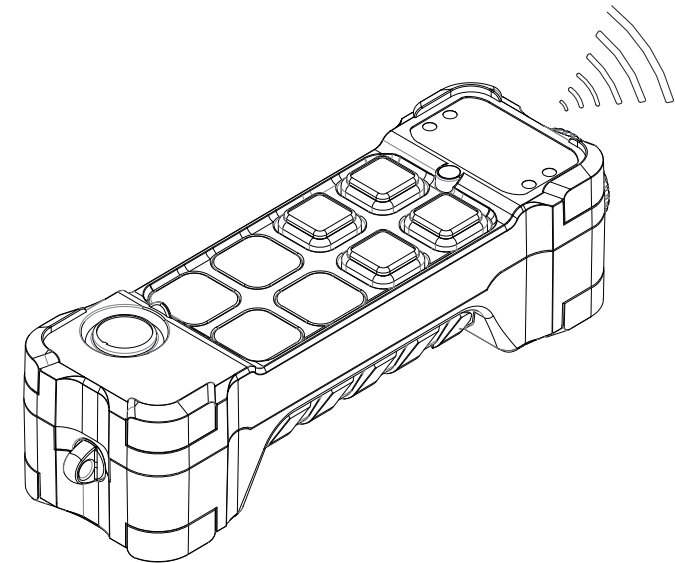
LED Signal		Failure Analysis	Solution
	LED red    LED Green		
<b>STATUS</b>		-RF error	-Check the antenna and make sure it is not loose.
	—•••	-Contact dealer	
	LED red    LED Green		
<b>STATUS</b>		-Receiver is not powered.	-Change the fuse.
		-Check the power supply.	

	LED red    LED Green	Valid data or Invalid data (from a different transmitter) received.
<b>STATUS</b>	—	

# HS-K400 series

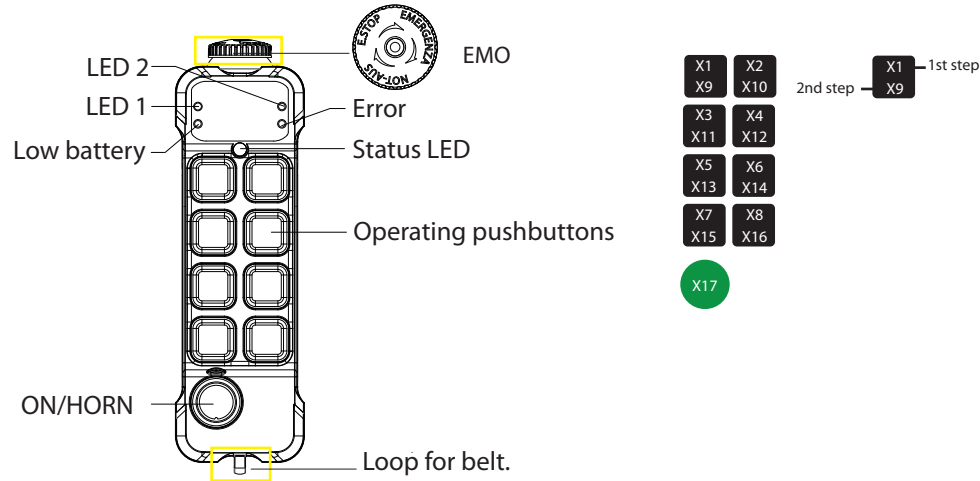
Radio remote control system

## BASIC INSTALLATION INSTRUCTIONS



(English)  
Standard settings

The K series transmitter comes in different visions, featuring 2, 4, 6, or 8 pushbuttons. The transmitter also features 2-step pushbuttons. Both steps of each pushbutton can operate different functions like controlling the speed of a movement, step 1: slow, step 2: fast.



**START/ Horn switch**

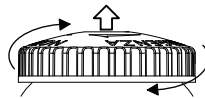
The K series transmitter has an Start/Horn switch on the button-left side. The Start/Horn switch has 2 modes:

1. Press to start
2. Press for horn while operating



**Start the transmitter in operating mode**

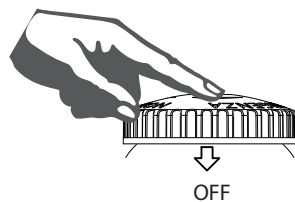
1. Turn to release the emergency button.
2. Press "START" button.



**Turning the transmitter off**

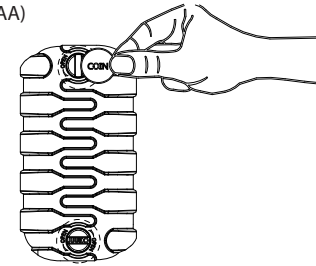
Turn the transmitter off by completely pressing the STOP-button.

The transmitter turns off. All relays deactivate.



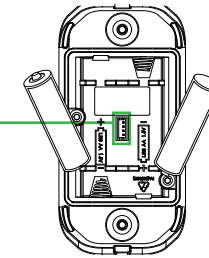
**Change the batteries**

BATTERY TYPE: 2 x 1.5V(LR6 AA)



**Program the transmitters**

1. Remove the battery cover
  2. Remove both batteries.
- The programming connector is placed behind the battery



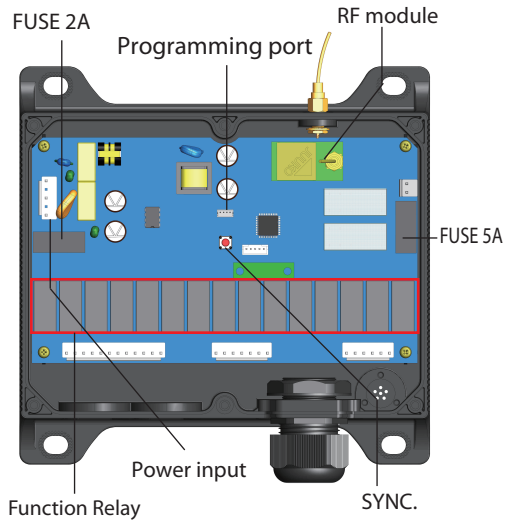
**Technical data**

TRANSMITTER

Frequency range	433.0525~434.7775MHz
Modulation method	4GFSK
Typical operating range	100M
Control system	PLL
Antenna impedance	50Ω
Typical response time for Stop command and commands	50mS~100mS
Power supply	LR6(AA)1.5V x2
Antenna	Internal
Average power consumption	16mA@DC3V (default setting)
Radio-frequency power	<10dBm (default setting)
Operating and storage temperature	(-20°C)~(+55°C) / (-40°C)~(+65°C)
Protection degree	IP65
Dimensions	193×57×51 mm(2-8 buttons)
Weight (including battery)	approx.325g (2-8 buttons)
Housing materia	PA6(30% GF)

**Receiver**

**WARNING!** The receiver must NOT be opened by any other than a qualified installer. Make sure to turn the electricity off before opening the receiver.

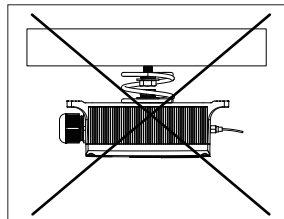
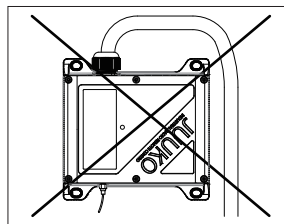
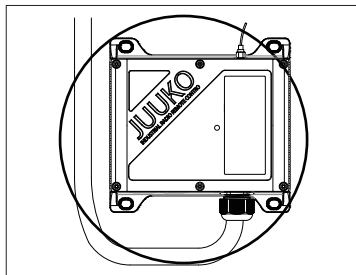
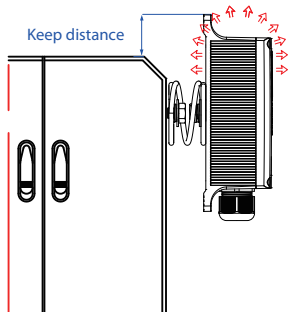


**Technical data**

Frequency	433.0525~434.7775MHz
Modulation method	4GFSK
Sensitivity	-112dBm@baud1.2K bps
Control system	PLL
Antenna impedance	50Ω
Typical response time for Stop command and commands	50mS~100mS
Power supply	24~264V AC/DC
Antenna	Internal
Standby power	16mA@AC220V
Operating and storage temperature	(-20°C)~(+55°C)/(-40°C)~(+65°C)
Protection degree	IP65
Dimensions	190×184×64 (mm)
Weight	1795g
Housing materia	PA6(30% GF)

**Instruction guide**

Area must be free of obstructions



**Thank you for purchasing a JUUKO product.**

READ ALL INSTRUCTIONS CAREFULLY BEFORE MOUNTING, INSTALLING AND CONFIGURATING THE PRODUCT.

This manual includes general information concerning the operation of the radio remote control transmitter K series .

**General Information on Safety**

- Persons under the influence of drugs and/or alcohol and/or other medicine that impairs their reaction may not assemble, disassemble, install, put into operation, repair or operate the product.
- All conversions and modifications of an installation/system must conform to the relevant safety requirements. Work on the electrical equipment must be performed only by qualified, authorized personnel and in accordance with the relevant safety requirements.
- In the event of malfunctioning and visible defects or irregularities, the product must be stopped, switched off and the relevant master switches must be switched off.

**Used Symbols and Definitions for Warnings**

	Warning against hazardous situation
	Warning against electrical voltage

**FCC Part 15**

\* This device complies with Part 15 of the FCC Rules. Operation is subject to the following two conditions: (1) this device may not cause harmful interference and (2) this device must accept any interference received, including interference that may cause undesired operation

\* You are cautioned that changes or modifications not expressly approved by the party responsible for compliance could void your authority to operate the equipment.

**IC Statement**

This device complies with Industry Canada licence-exempt RSS standard(s). Operation is subject to the following two conditions: (1) this device may not cause interference, and (2) this device must accept any interference, including interference that may cause undesired operation of the device.

Le présent appareil est conforme aux CNR d'Industrie Canada applicables aux appareils radio exempts de licence. L'exploitation est autorisée aux deux conditions suivantes : (1) l'appareil ne doit pas produire de brouillage, et (2) l'utilisateur de l'appareil doit accepter tout brouillage radioélectrique subi, même si le brouillage est susceptible d'en compromettre le fonctionnement.